

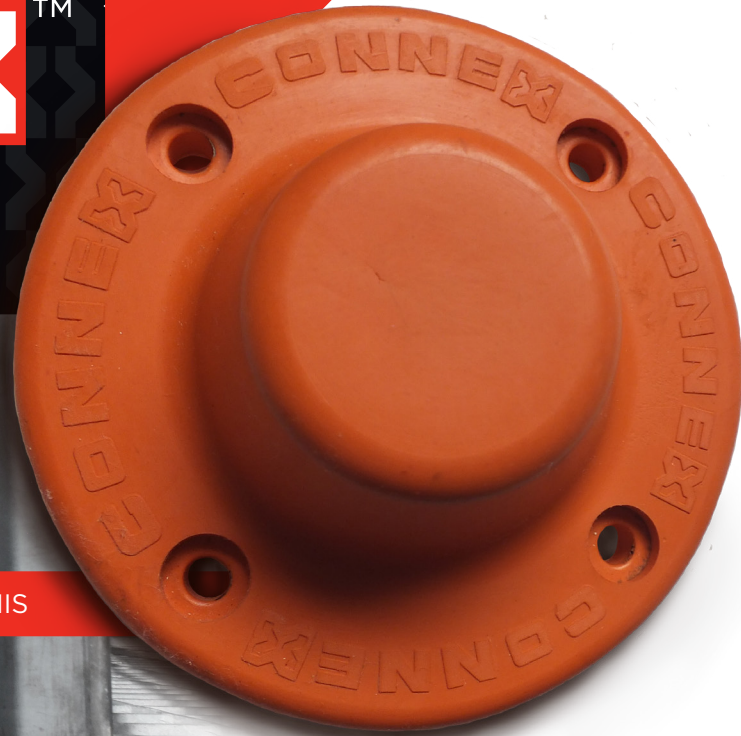
CONNEX™

{ A POWERFUL MAGNETIC CONNECTION SYSTEM }

REPLACE THIS



WITH THIS



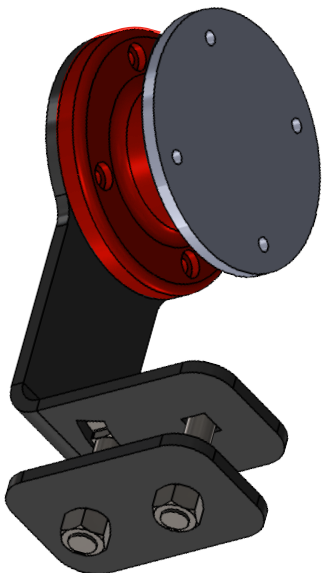
WHEN YOU NEED A STRONG CONNECTION, use the Connex™ Magnetic Connection System.



CREATED FROM RARE EARTH MAGNETS, the Connex™ magnet creates a powerful, easy-to-use connection.



APPLICATIONS FOR THE PRODUCT ARE ENDLESS. The Connex™ is great for holding open doors, cargo trailers, gates, storage units, and much more.



FEATURES

- Rare Earth Magnets.
- Easy Installation.
- Endless Application.
- All Hardware Included.



WARNING

Not a toy.
Keep away
from children.

TECHNICAL SPECS

- Neodymium Magnets.
- UV Resistance Rubber Compound for Superior Durability.
- Easy to Mount.
- Steel Floor Bracket Available for Mounting on Concrete to Grated Floors.
- Reusable.

CONNEXMAGNETS.COM