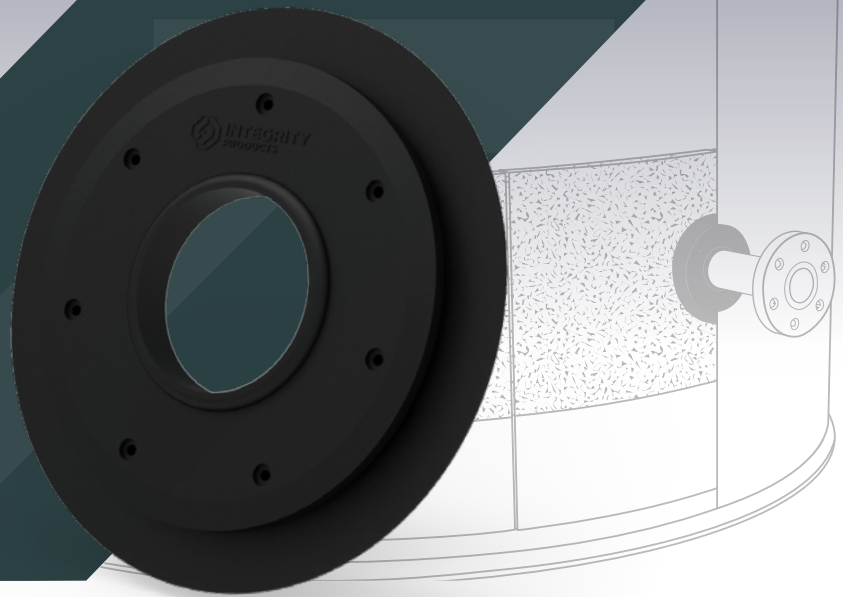




# Integrity Nozzle Sleeve



## PRODUCT DESCRIPTION

Integrity Products' Nozzle Sleeves are made from a high-quality Silicone rubber and are designed to easily fit the circumference of the protruding nozzles on insulated tanks and vessels. This will create a watertight seal, protecting the insulated equipment from moisture ingress and mitigate the risk of Corrosion Under Insulation (CUI).

## PRODUCT APPLICATION

Integrity's Nozzle Sleeve is specifically designed to seal nozzle protrusions on insulated tanks and vessels. Currently the process of sealing around the protruding nozzle takes a relatively long time and results in a poor seal, the Nozzle Sleeve is easily installed saving time and money. The base of the Nozzle Sleeve has an opening to allow the sleeve to slip over the pipe. The aperture between front and rear collars of Nozzle Sleeve accommodates the metal cladding creating a water-tight seal along the circumference of nozzle protrusions. These can be used for both new installs and maintenance on existing equipment.

## MATERIAL SPECIFICATIONS

### MATERIAL(S)

Silicone

### TENSILE STRENGTH

10.5 MPa

### TEAR STRENGTH

30 KN/m

### COLOR

Black

### ELONGATION

600%

### MAX OPERATING TEMPERATURE

240 °C (464 °F)

### DENSITY

1.17 g/cm<sup>3</sup>

### SHORE HARDNESS

60 durometer

